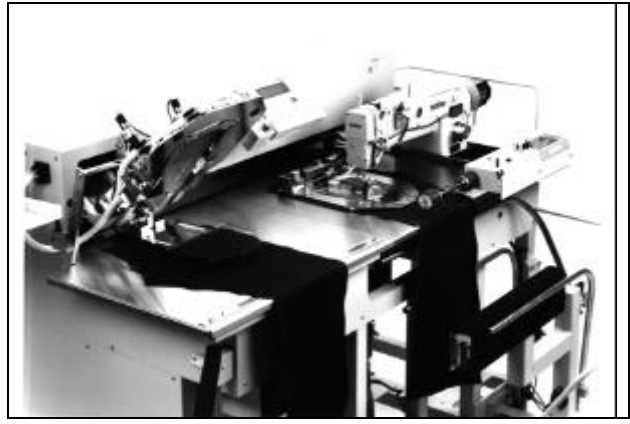


BAS-761

Automatic Pocket Setter (For Jeans)



Specifications

Machine head	Lockstitch and special zigzag stitch sewing machine with automatic thread trimmer
Application	Heavy materials (Jeans)
Sewing speed	500 - 4,250 rpm (9-position selectable type)
Bar tack sewing speed	500 - 3,500 rpm (7-position selectable type)
Stitch length	0.1 - 6.0 mm
Stitch width	Max.3.5 mm (Dial control type)
Sewing area	(X) 250 × (Y) 250 mm
Needle	1
Rotary hook	× 2.4
Thread trimmer	Included
Upper thread breakage detector	Included
Bobbin thread counter	Included
Stacker	Included
Floppy disk	3.5" 2HD
Air pressure	0.44 – 0.54 Mpa 200 l / min.
Power supply	3-phase 200V, 220V, 380V, 400V, 415V 1,000 VA 900W
Machine dimensions	1,919 (W) × 2,148 (L) × 970 Table (H) mm
Weight	400 kg

*There may be limits on the area available for some pocket types.

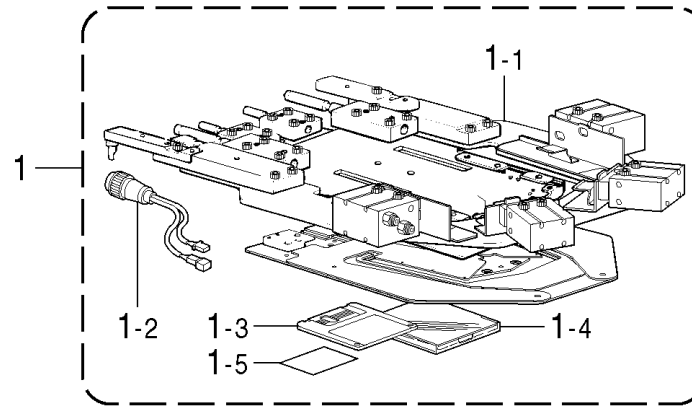
*The sewing speed may be limited by sewing conditions (such as stitch length, thread and material)

Productivity data (8-hour working shift)

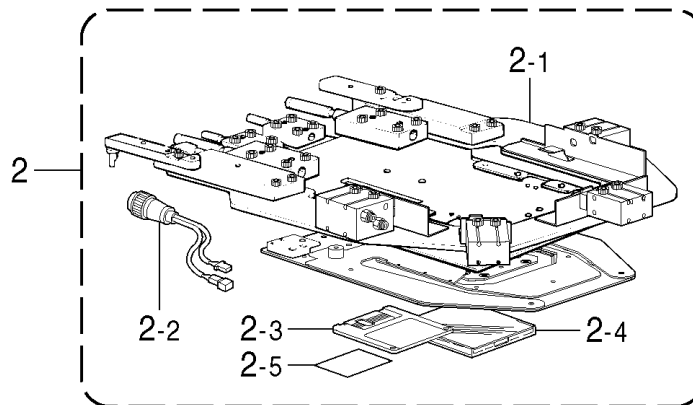
	BAS-760	BAS-761
Cycle time (*1) (compared to previous models)	10.5 sec.	9.0 sec.
Margin ratio (*2)	29 %	25 %
Production quantity	2,131 pockets	2,550 pockets

*1: The cycle time may vary slightly according to factors such as the pattern, pocket shape, stitch length and sewing speed.

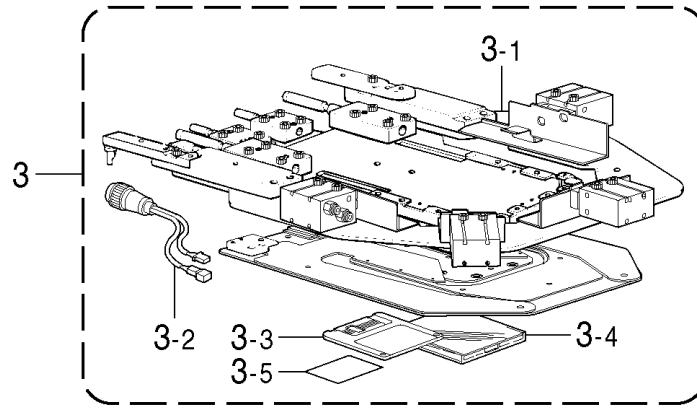
*2: The BAS-761 (2.4-time hook) requires fewer bobbin changes than the BAS-760 (1.7-time hook), so that the margin ratio has been reduced by 4 %.



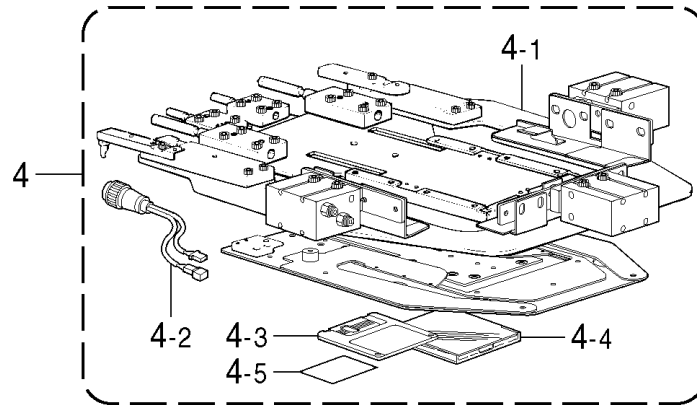
Ref. No.	Part name	Part code	Q'ty
1	F - group supply assy, 761 MI - 2J	S47646-XXX	1
1-1	F - group assy, triangle - J2	S43653-XXX	1
1-2	Sensor harness, B retractable	S46702-000	1
1-3	3.5 media, 2HD	S43273-000	1
1-4	Floppy case	S09989-000	1
1-5	Index label, 3.5FD	S42658-000	1



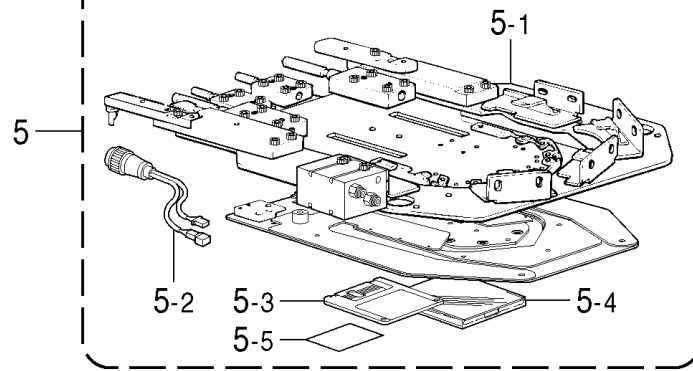
Ref. No.	Part name	Part code	Q'ty
2	F - group supply assy, 761 MI - J2	S47647-XXX	1
2-1	F - group assy, miter - J2	S43655-XXX	1
2-2	Sensor harness, B retractable	S46702-000	1
2-3	3.5 media, 2HD	S43273-000	1
2-4	Floppy case	S09989-000	4
2-5	Index label, 3.5FD	S42658-000	1



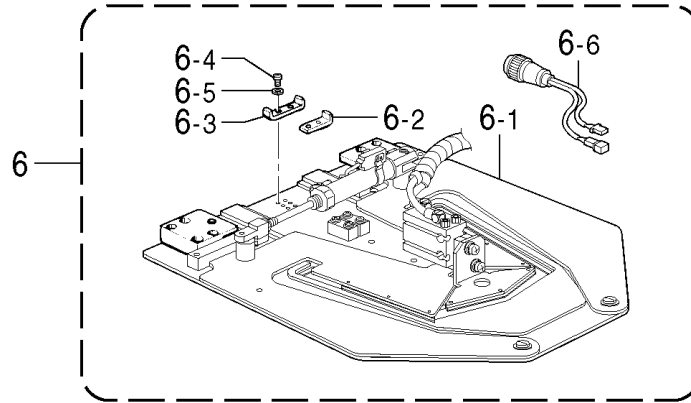
Ref. No.	Part name	Part code	Q'ty
3	F - group supply assy, 761 R - 1J2	S47648-XXX	1
3-1	F - group assy, round - 1J2	S47657-XXX	1
3-2	Sensor harness, B retractable	S46702-000	1
3-3	3.5 media, 2HD	S43273-000	1
3-4	Floppy case	S09989-000	4
3-5	Index label, 3.5FD	S42658-000	1



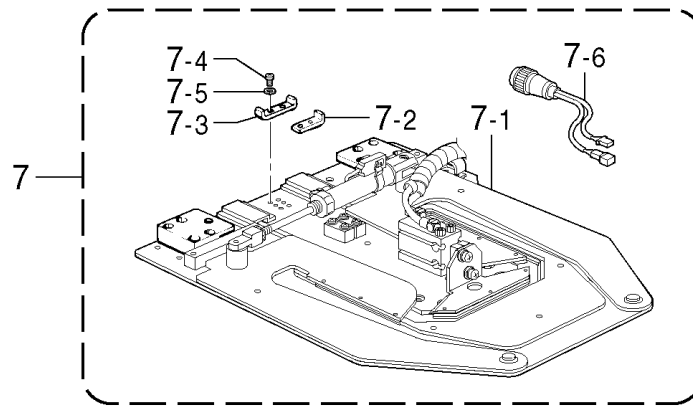
Ref. No.	Part name	Part code	Q'ty
4	F - group supply assy, 761 SQ-J2	S47649-XXX	1
4-1	F - group assy, square - J2	S43659-XXX	1
4-2	Sensor harness, B retractable	S46702-000	1
4-3	3.5 media, 2HD	S43273-000	1
4-4	Floppy case	S09989-000	4
4-5	Index label, 3.5FD	S42658-000	1



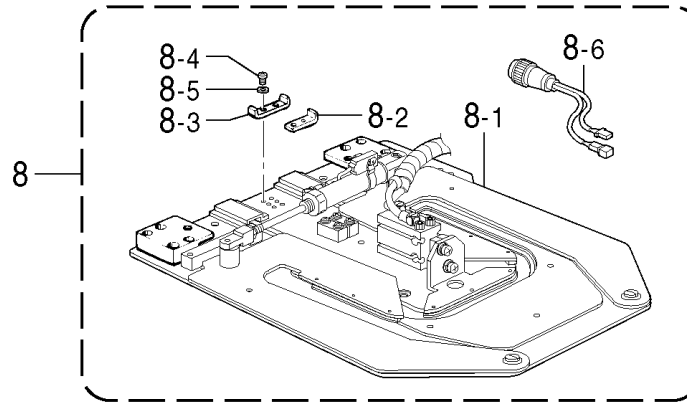
Ref. No.	Part name	Part code	Q'ty
5	F - group supply assy, 761 R - 2J2	S47650-XXX	1
5-1	F - group assy, round - 2J2	S38942-XXX	1
5-2	Sensor harness, B retractable	S46702-000	1
5-3	3.5 media, 2HD	S43273-000	1
5-4	Floppy case	S09989-000	4
5-5	Index label, 3.5FD	S42658-000	1



Ref. No.	Part name	Part code	Q'ty
6	F - group supply assy, 761 TR - J2	S48386-XXX	1
6-1	F - group assy, triangle - J2	S37506-XXX	1
6-2	Slit, C	S12111-001	3
6-3	Slit, D	S12112-001	3
6-4	Screw, pan M3 x 5	062300-502	6
6-5	Washer, spring 2 - 3	028030-242	6
6-6	Sensor harness, B retractable	S46702-000	1



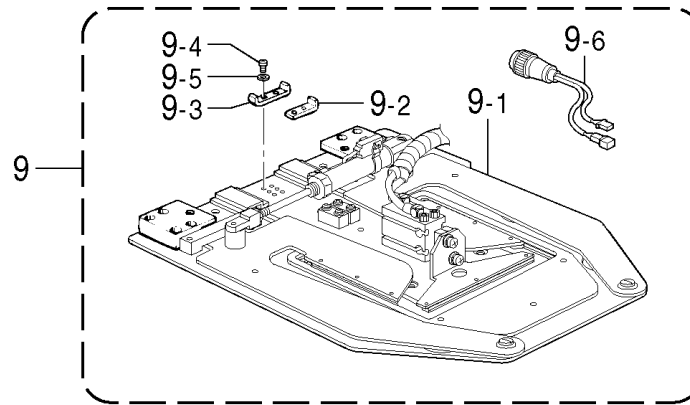
Ref. No.	Part name	Part code	Q'ty
7	F - group supply assy, 761 MI - J2	S48387-XXX	1
7-1	F - group assy, miter - J2	S38961-XXX	1
7-2	Slit, C	S12111-001	3
7-3	Slit, D	S12112-001	3
7-4	Screw, pan M3 × 5	062300-502	6
7-5	Washer, spring 2 - 3	028030-242	6
7-6	Sensor harness, B retractable	S46702-000	1



Ref. No.	Part name	Part code	Q'ty
8	F - group supply assy, 761 R - 1J2	S48388-XXX	1
8-1	F - group assy, round - 1J2	S37480-XXX	1
8-2	Slit, C	S12111-001	3
8-3	Slit, D	S12112-001	3
8-4	Screw, pan M3 × 5	062300-502	6
8-5	Washer, spring 2 - 3	028030-242	6
8-6	Sensor harness, B retractable	S46702-000	1

Attachment set (Option part)

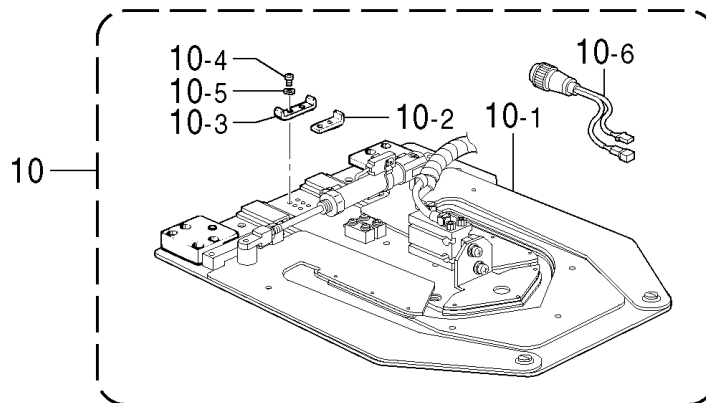
[BAS-761]



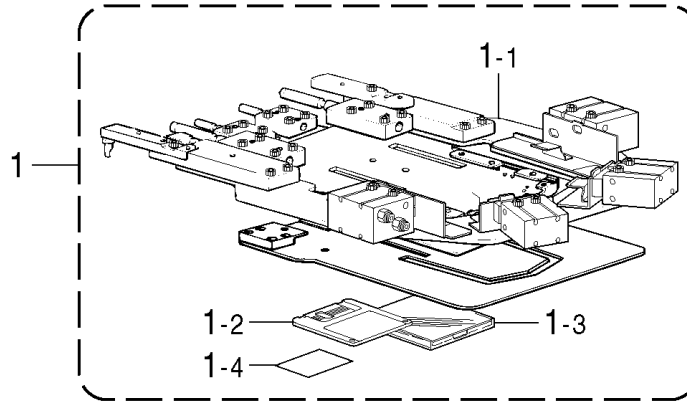
Ref. No.	Part name	Part code	Q'ty
9	F - group supply assy, 761 SQ - J2	S48389-XXX	1
9-1	F - group assy, square - J2	S38970-XXX	1
9-2	Slit, C	S12111-001	3
9-3	Slit, D	S12112-001	3
9-4	Screw, pan M3 × 5	062300-502	6
9-5	Washer, spring 2 - 3	028030-242	6
9-6	Sensor harness, B retractable	S46702-000	1

Attachment set (Option part)

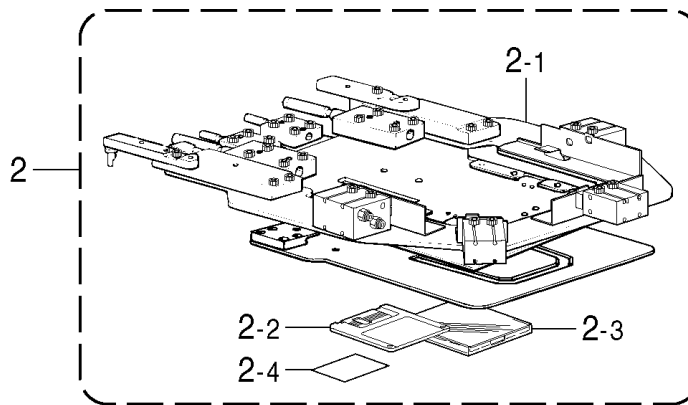
[BAS-761]



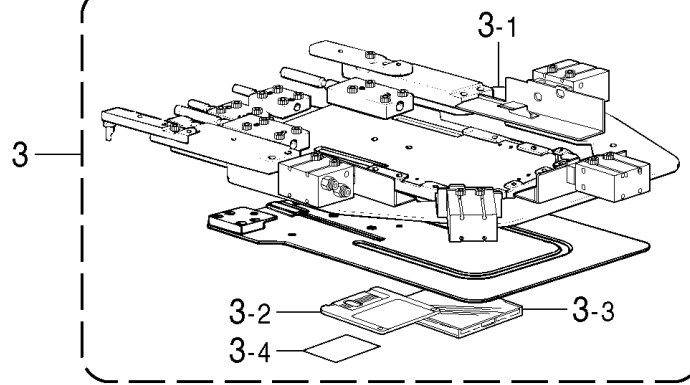
Ref. No.	Part name	Part code	Q'ty
10	F - group supply assy, 761 R - 2J2	S48390-XXX	1
10-1	F - group assy, round - 2J2	S38979-XXX	1
10-2	Slit, C	S12111-001	3
10-3	Slit, D	S12112-001	3
10-4	Screw, pan M3 × 5	062300-502	6
10-5	Washer, spring 2 - 3	028030-242	6
10-6	Sensor harness, B retractable	S46702-000	1



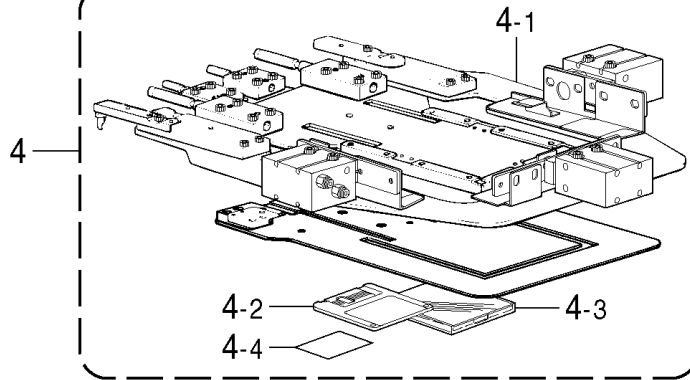
Ref. No.	Part name	Part code	Q'ty
1	F - group supply assy, 761 TRI - J	S47641-XXX	1
1-1	F - group assy, triangle - J	S43645-XXX	1
1-2	3.5 media, 2HD	S43273-000	1
1-3	Floppy case	S09989-000	1
1-4	Index label, 3.5FD	S42658-000	1



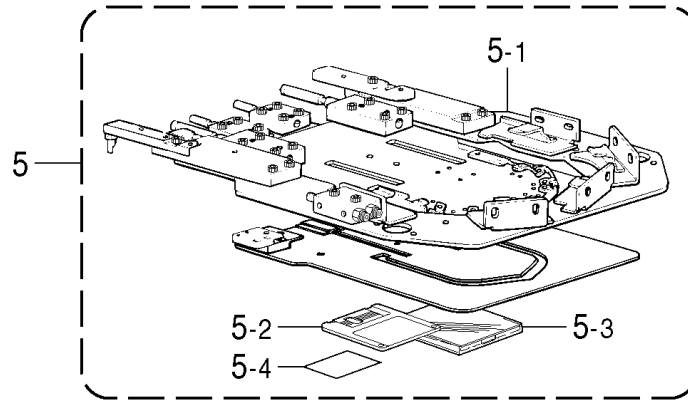
Ref. No.	Part name	Part code	Q'ty
2	F - group supply assy, 761 MIT - J	S47642-XXX	1
2-1	F - group assy, miter - J	S43647-XXX	1
2-2	3.5 media, 2HD	S43273-000	1
2-3	Floppy case	S09989-000	1
2-4	Index label, 3.5FD	S42658-000	1



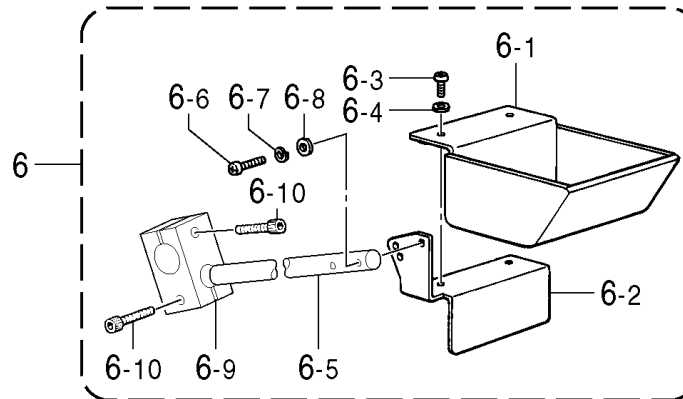
Ref. No.	Part name	Part code	Q'ty
3	F - group supply assy, 761 RO - 1J	S47643-XXX	1
3-1	F - group assy, round - 1J	S43649-XXX	1
3-2	3.5 media, 2HD	S43273-000	1
3-3	Floppy case	S09989-000	1
3-4	Index label, 3.5FD	S42658-000	1



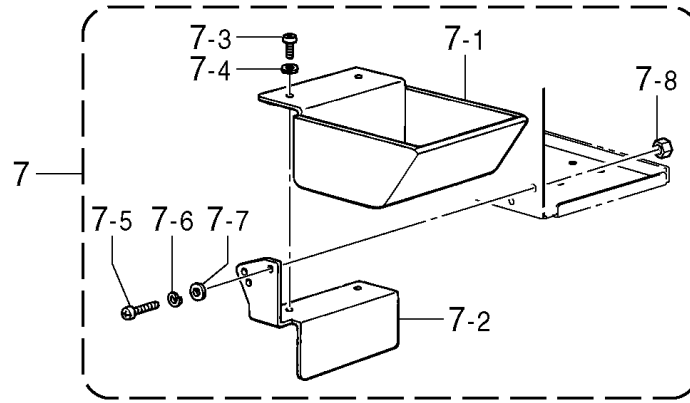
Ref. No.	Part name	Part code	Q'ty
4	F - group supply assy, 761 SQU - J	S47644-XXX	1
4-1	F - group assy, square - J	S43651-XXX	1
4-2	3.5 media, 2HD	S43273-000	1
4-3	Floppy case	S09989-000	1
4-4	Index label, 3.5FD	S42658-000	1



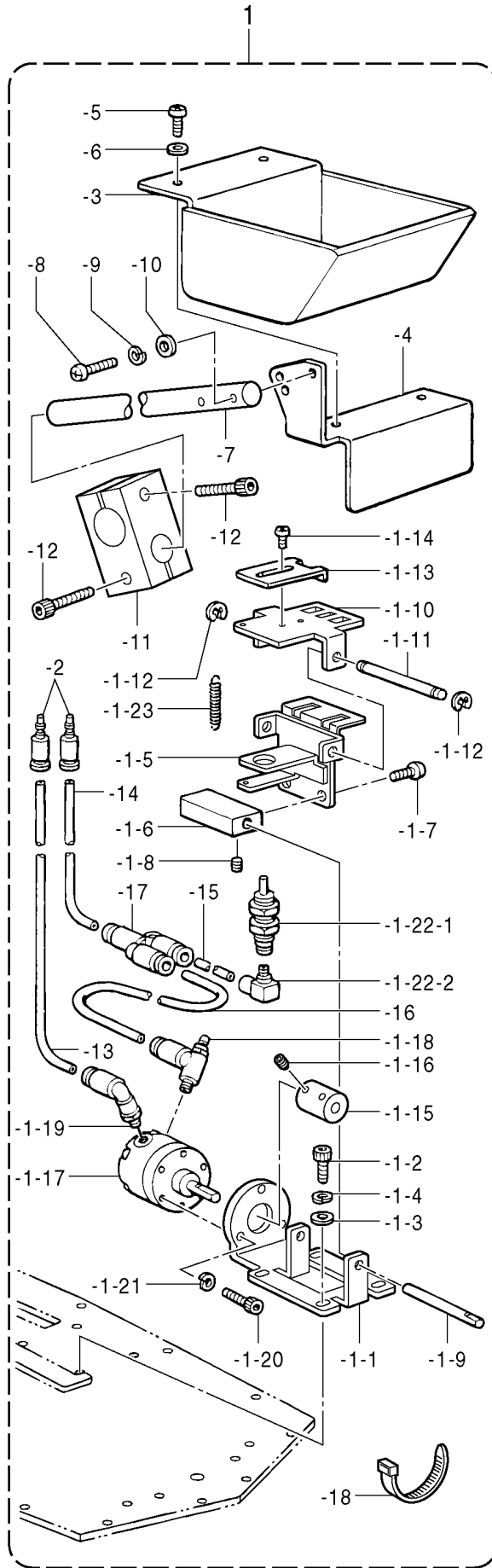
Ref. No.	Part name	Part code	Q'ty
5	F - group supply assy, 761 RO - 2J	S47645-XXX	1
5-1	F - group assy, round - 2J	S24833-XXX	1
5-2	3.5 media, 2HD	S43273-000	1
5-3	Floppy case	S09989-000	1
5-4	Index label, 3.5FD	S42658-000	1



Ref. No.	Part name	Part code	Q'ty
	<For attaching a right label>		
6	Label box assy, A	S48661-001	1
6-1	Label box	S25044-000	1
6-2	Label box base	S25045-001	1
6-3	Screw, pan M4 × 8	062400-806	2
6-4	Washer, plain M4	025040-233	2
6-5	Setting bar	S25046-001	1
6-6	Screw, pan M4 × 16	062401-616	2
6-7	Washer, spring 2 - 4	028040-243	2
6-8	Washer, plain M4	025040-233	2
6-9	Support, setting bar	S24956-001	1
6-10	Bolt, socket M5 × 20	018502-022	2



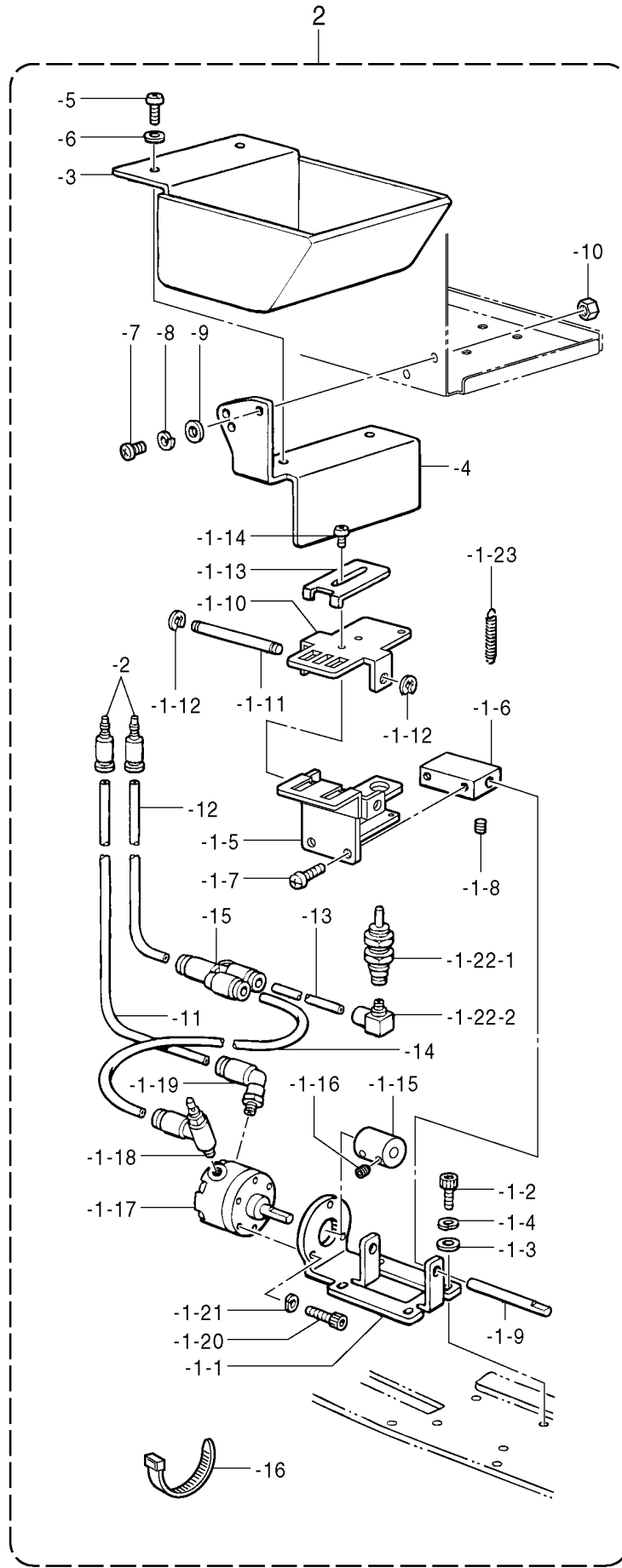
Ref. No.	Part name	Part code	Q'ty
	<For attaching a left label>		
7	Label box assy, B	S48654-001	1
7-1	Label box	S25044-000	1
7-2	Label box base	S25045-001	1
7-3	Screw, pan M4 × 8	062400-806	2
7-4	Washer, plain M4	025040-233	2
7-5	Screw, pan M4 × 10	062401-006	2
7-6	Washer, spring 2 - 4	028040-246	2
7-7	Washer, plain M4	025040-236	2
7-8	Nut, 2M4	021400-206	2



Attachment set (Option part)

[BAS-761]

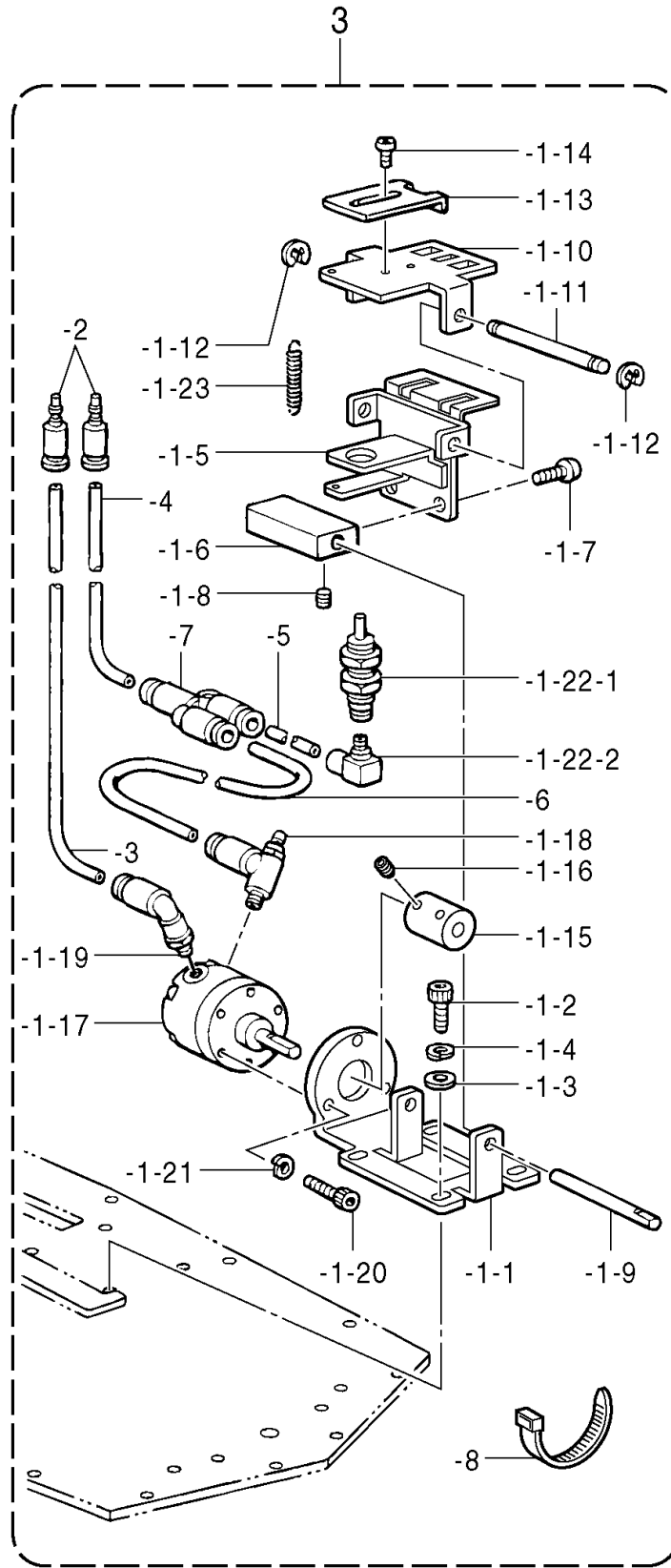
Ref. No.	Part name	Part code	Q'ty
	<For attaching a right label>		
1	Labeling device, A	S25025-201	1
1-1	Labeling assy	S25026-201	1
1-1-1	Support plate	S25027-001	1
1-1-2	Bolt, socket M4 × 8	018400-832	2
1-1-3	Washer, plain M4	025040-232	2
1-1-4	Washer, spring 2 - 4	028040-242	2
1-1-5	Label bracket	S25028-101	1
1-1-6	Shaft support	S25029-001	1
1-1-7	Screw, bind M4 × 8	060400-816	2
1-1-8	Set screw, socket (CP) M4 × 5	014400-522	2
1-1-9	Shaft, B	S25030-001	1
1-1-10	Clamp, label	S25031-101	1
1-1-11	Shaft, A	S25032-001	1
1-1-12	Retaining ring, E4	048040-342	2
1-1-13	Label positional	S25033-001	1
1-1-14	Screw, bind M3 × 4	060300-414	2
1-1-15	Set screw collar	S41259-001	1
1-1-16	Set screw, socket (CP) M4 × 5	014400-522	4
1-1-17	Rotary cylinder	S25036-000	1
1-1-18	Speed controller, out	S15567-000	1
1-1-19	Elbow union, 4M5	S11426-000	1
1-1-20	Bolt, socket M3 × 12	018301-222	3
1-1-21	Washer, spring 2 - 3	028030-242	3
1-1-22	Pin cylinder assy	S25037-000	1
1-1-22-1	Pin cylinder	S25038-000	1
1-1-22-2	Tube elbow, M-5HL-4	S12150-000	1
1-1-23	Spring, extension	118352-001	1
1-2	Plug	S25040-000	2
1-3	Label box	S25044-000	1
1-4	Label box base	S25045-001	1
1-5	Screw, pan M4 × 8	062400-806	2
1-6	Washer, plain M4	025040-233	2
1-7	Setting bar	S25046-001	1
1-8	Screw, pan M4 × 16	062401-616	2
1-9	Washer, spring 2 - 4	028040-243	2
1-10	Washer, plain M4	025040-233	2
1-11	Support, setting bar	S24956-001	1
1-12	Bolt socket M5 × 20	018502-022	2
1-13	Air tube, 4 × 2.5 - 4L = 260	S12180-000	1
1-14	Air tube, 4 × 2.5 - 3L = 190	S12179-000	1
1-15	Air tube, 4 × 2.5 - 2L = 130	S12178-000	1
1-16	Air tube, 4 × 2.5 - 36L = 75	S25050-000	1
1-17	Union, Y4	S12104-000	1
1-18	Band, 1M	S04159-000	1



Attachment set (Option part)

[BAS-761]

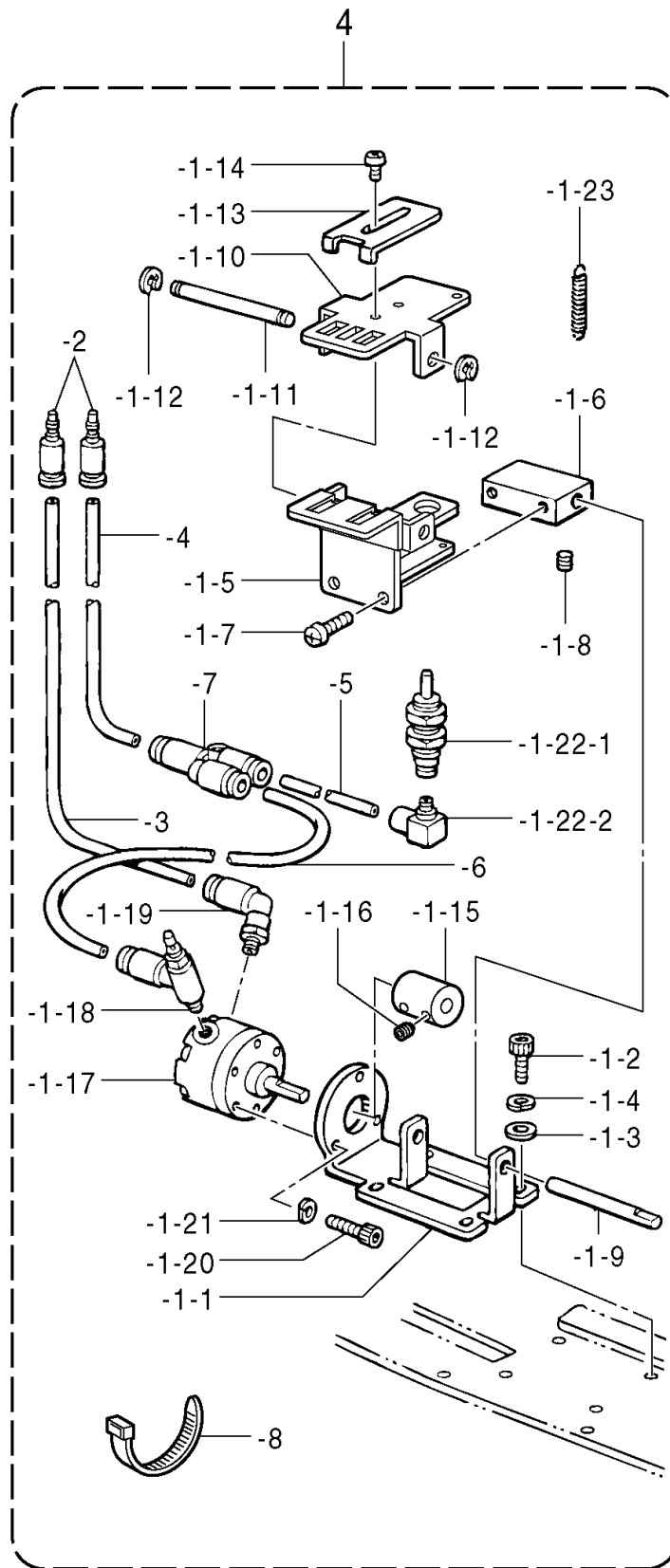
Ref. No.	Part name	Part code	Q'ty
	<For attaching a left label>		
2	Labeling device, B	S25047-201	1
2-1	Labeling assy	S25026-201	1
2-1-1	Support plate	S25027-001	1
2-1-2	Bolt, socket M4 × 8	018400-832	2
2-1-3	Washer, plain M4	025040-232	2
2-1-4	Washer, spring 2 - 4	028040-242	2
2-1-5	Label bracket	S25028-101	1
2-1-6	Shaft support	S25029-001	1
2-1-7	Screw, bind M4 × 8	060400-816	2
2-1-8	Set screw, socket (CP) M4 × 5	014400-522	2
2-1-9	Shaft, B	S25030-001	1
2-1-10	Clamp, label	S25031-101	1
2-1-11	Shaft, A	S25032-001	1
2-1-12	Retaining ring, E4	048040-342	2
2-1-13	Label positional	S25033-001	1
2-1-14	Screw, bind M3 × 4	060300-414	2
2-1-15	Set screw collar	S41259-001	1
2-1-16	Set screw, socket (CP) M4 × 5	014400-522	4
2-1-17	Rotary cylinder	S25036-000	1
2-1-18	Speed controller, out	S15567-000	1
2-1-19	Elbow union, 4M5	S11426-000	1
2-1-20	Bolt, socket M3 × 12	018301-222	3
2-1-21	Washer, spring 2 - 3	028030-242	3
2-1-22	Pin cylinder assy	S25037-000	1
2-1-22-1	Pin cylinder	S25038-000	1
2-1-22-2	Tube elbow, M - 5HL - 4	S12150-000	1
2-1-23	Spring, extension	118352-001	1
2-2	Plug	S25040-000	2
2-3	Label box	S25044-000	1
2-4	Label box base	S25045-001	1
2-5	Screw, pan M4 × 8	062400-806	2
2-6	Washer, plain M4	025040-233	2
2-7	Screw, pan M4 × 8	062400-806	2
2-8	Washer, spring 2 - 4	028040-243	2
2-9	Washer, plain M4	025040-233	2
2-10	Nut, 2M4	021400-206	2
2-11	Air tube, 4 × 2.5 - 4L = 260	S12180-000	1
2-12	Air tube, 4 × 2.5 - 3L = 190	S12179-000	1
2-13	Air tube, 4 × 2.5 - 2L = 130	S12178-000	1
2-14	Air tube, 4 × 2.5 - 36L = 75	S25050-000	1
2-15	Union, Y4	S12104-000	1
2-16	Band,1M	S04159-000	1



Attachment set (Option part)

[BAS-761]

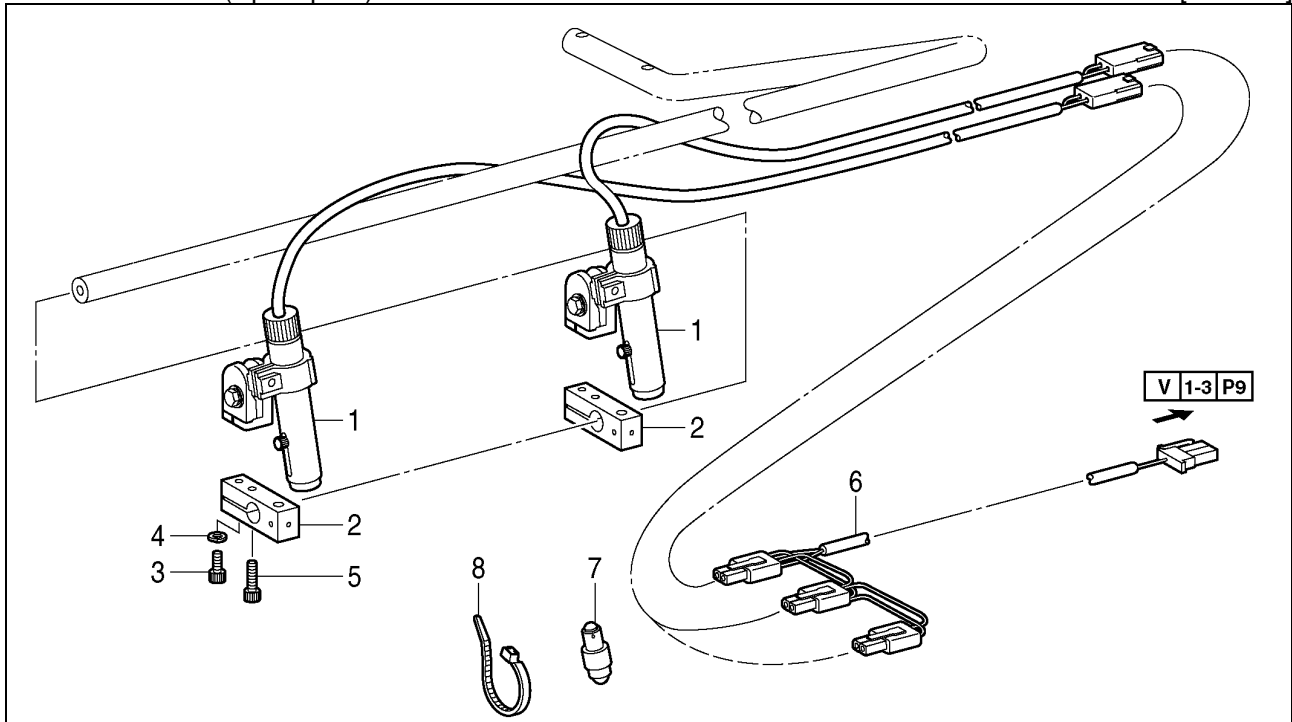
Ref. No.	Part name	Part code	Q'ty
	<For attaching a right label>		
3	Labeling assy, A	S31971-201	1
3-1	Labeling assy	S25026-201	1
3-1-1	Support plate	S25027-001	1
3-1-2	Bolt, socket M4 × 8	018400-832	2
3-1-3	Washer, plain M4	025040-232	2
3-1-4	Washer, spring 2 - 4	028040-242	2
3-1-5	Label bracket	S25028-101	1
3-1-6	Shaft support	S25029-001	1
3-1-7	Screw, bind M4 × 8	060400-816	2
3-1-8	Set screw, socket (CP) M4 × 5	014400-522	2
3-1-9	Shaft, B	S25030-001	1
3-1-10	Clamp, label	S25031-101	1
3-1-11	Shaft, A	S25032-001	1
3-1-12	Retaining ring, E4	048040-342	2
3-1-13	Label positional	S25033-001	1
3-1-14	Screw, bind M3 × 4	060300-414	2
3-1-15	Set screw collar	S41259-001	1
3-1-16	Set screw, socket (CP) M4 × 5	014400-522	4
3-1-17	Rotary cylinder	S25036-000	1
3-1-18	Speed controller, out	S15567-000	1
3-1-19	Elbow union, 4M5	S11426-000	1
3-1-20	Bolt, socket M3 × 12	018301-222	3
3-1-21	Washer, spring 2 - 3	028030-242	3
3-1-22	Pin cylinder assy	S25037-000	1
3-1-22-1	Pin cylinder	S25038-000	1
3-1-22-2	Tube elbow, M - 5HL- 4	S12150-000	1
3-1-23	Spring, extension	118352-001	1
3-2	Plug	S25040-000	2
3-3	Air tube, 4 × 2.5 - 4L = 260	S12180-000	1
3-4	Air tube, 4 × 2.5 - 3L = 190	S12179-000	1
3-5	Air tube, 4 × 2.5 - 2L = 130	S12178-000	1
3-6	Air tube, 4 × 2.5 - 36L = 75	S25050-000	1
3-7	Union, Y4	S12104-000	1
3-8	Band, 1M	S04159-000	1



Attachment set (Option part)

[BAS-761]

Ref. No.	Part name	Part code	Q'ty
	<For attaching a left label>		
4	Labeling assy, B	S31972-201	1
4-1	Labeling assy	S25026-201	1
4-1-1	Support plate	S25027-001	1
4-1-2	Bolt, socket M4 × 8	018400-832	2
4-1-3	Washer, plain M4	025040-232	2
4-1-4	Washer, spring 2 - 4	028040-242	2
4-1-5	Label bracket	S25028-101	1
4-1-6	Shaft support	S25029-001	1
4-1-7	Screw, bind M4 × 8	060400-816	2
4-1-8	Set screw, socket (CP) M4 × 5	014400-522	2
4-1-9	Shaft, B	S25030-001	1
4-1-10	Clamp, label	S25031-101	1
4-1-11	Shaft, A	S25032-001	1
4-1-12	Retaining ring, E4	048040-342	2
4-1-13	Label positional	S25033-001	1
4-1-14	Screw, bind M3 × 4	060300-414	2
4-1-15	Set screw collar	S41259-001	1
4-1-16	Set screw, socket (CP) M4 × 5	014400-522	4
4-1-17	Rotary cylinder	S25036-000	1
4-1-18	Speed controller, out	S15567-000	1
4-1-19	Elbow union, 4M5	S11426-000	1
4-1-20	Bolt, socket M3 × 12	018301-222	3
4-1-21	Washer, spring 2 - 3	028030-242	3
4-1-22	Pin cylinder assy	S25037-000	1
4-1-22-1	Pin cylinder	S25038-000	1
4-1-22-2	Tube elbow, M - 5HL- 4	S12150-000	1
4-1-23	Spring, extension	118352-001	1
4-2	Plug	S25040-000	2
4-3	Air tube, 4 × 2.5 - 4L = 260	S12180-000	1
4-4	Air tube, 4 × 2.5 - 3L = 190	S12179-000	1
4-5	Air tube, 4 × 2.5 - 2L = 130	S12178-000	1
4-6	Air tube, 4 × 2.5 - 36L = 75	S25050-000	1
4-7	Union, Y4	S12104-000	1
4-8	Band, 1M	S04159-000	1



Ref. No.	Part name	Part code	Q'ty
1	Marking light assy, T	S27937-000	2
2	Marker setter, right	S24958-001	2
3	Bolt, socket M5 × 20	018502-036	2
4	Washer, spring 2 - 5	028050-246	2
5	Bolt, socket M5 × 30	018503-036	2
6	Harness, marker	S46680-000	1
7	Lamp, 5W	S08137-000	1
8	Band, PLTIM	S04557-000	5